

4MP AI hybrid light Eyeball camera advance ColorGuard

GLCE-A40212VF 4,0MP motor zoom lens 2.8 to 12 mm Eyeball

Varenr 22500



Features

- ✓ High quality image with 4MP, **1/1.8" large CMOS sensor**
- ✓ 4MP (2688x1520)@ 30/25fps; 4MP (2560x1440)@ 30/25fps; 3MP (2304x1296) @ 30/25fps; 2MP (1920x1080) @30/25fps
- ✓ Ultra265, H.265, H.264, MJPEG
- ✓ **NDAA Compliant**
- ✓ Smart AI intrusion prevention, include cross line, intrusion, enter area, leave area detection
- ✓ Based on target classification, smart intrusion prevention significantly reduce false alarm caused by leaves, birds and lights etc., accurately focus on human and, motor vehicle and non-motor vehicle
- ✓ Intelligent AI People flow counting and Crowd density monitoring
- ✓ ColorGuard technology ensures 24-hour full-color images
- ✓ 120dB true WDR technology enables clear image in strong light scene
- ✓ 20 simultaneous streams (multi stream)
- ✓ Support 9:16 corridor Mode
- ✓ Alarm:1 in/1 out, Audio: 1 in/1 out
- ✓ Supports 512GB microSD card
- ✓ IK10 vandal resistant
- ✓ IP67 protection



Specifications

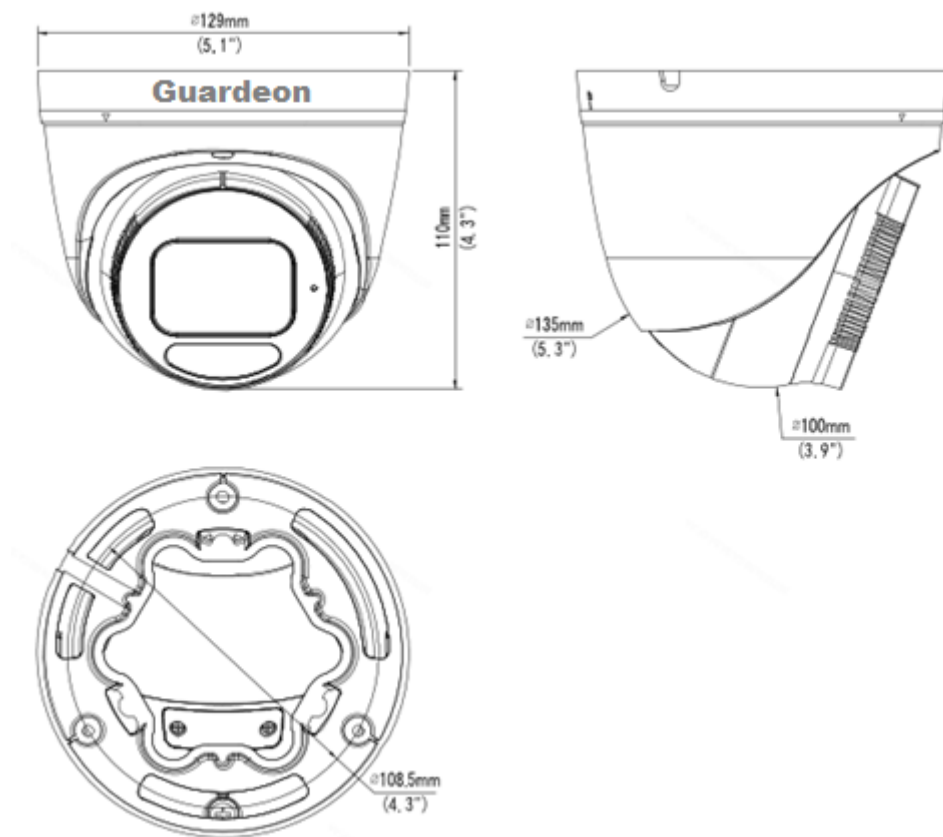
Camera	Description
Max resolution	4 MP
Sensor	1/1.8" CMOS ColorGuard
Min. Illumination	Color: 0.0005 lux (F1.2, AGC ON) 0 lux with IR/LED on
Shutter	Auto/Manual, 1 ~ 1/100000s
Adjustment angle	Pan: 0° ~ 360°, Tilt: 0° ~ 72°, Rotate: 0° ~ 360°
S/N	>56dB
WDR	120dB
Lens	Description
Focal length (motor zoom)	2.8 ~ 12 mm
Iris type	Fixed
Iris	F1.2
Field of view (H)	102.4° ~ 49.2°
Field of view (V)	54.7° ~ 27.8°
Field of view (D)	106.8° ~ 55.0°
DORI	Description
DORI distance (Lens)	2.8 mm, 12 mm
DORI distance (Detect)	43.4 m (142.4ft), 186.2 m (610.9ft)
DORI distance (Observe)	17.4 m (57.1ft), 74.5 m (244.4ft)
DORI distance (Recognize)	8.7 m (28.5ft), 37.2 m (122.0ft)
DORI distance (Identify)	4.3 m (14.1ft), 18.6 m (61.0ft)
Illuminator	Description
Supplemental light	Dual Light
Illumination distance (IR)	30 m (98.4 ft) IR
Illumination distance (Warm Light)	30 m (98.4 ft) White
Wavelength	850 nm
Light On/Off control	Auto / Manual / Smart

Video	Description
Video compression	Ultra 265, H.265, H.264, MJPEG
Frame rate	Main Stream: 4MP (2688x1520), max. 30fps; 4MP (2560x1440), max. 30fps; 3MP (2304x1296), max. 30fps; 1080P (1920x1080), max. 30fps; Sub Stream: 720P (1280x720), max. 30fps; D1 (720x576), max. 30fps; 640x360, max. 30fps Third Stream: D1 (720x576), max. 30fps; 640x360, max. 30fps; 2CIF (704x288), max. 30fps; CIF (352x288), max. 30fps
H.264 code profile	Baseline profile, Main profile, High profile
Video bit rate	128 Kbps ~ 16 Mbps
U-code	Support
OSD	Up to 8 OSDs
Privacy mask	Up to 4 areas
ROI	Support
Video stream	Triple Streams
Simultaneous streams	Up to 20 (multi stream)
Image	Description
White balance	Auto, Outdoor, Fine tune, Sodium lamp, Locked, Auto2
Smart IR	Over exposure
Digital noise reduction	2D/3D DNR
Flip	Normal, Flip vertical, Flip horizontal, 180°, 90° clockwise, 90° anti-clockwise
Dewarping	N/A
HLC	Support
BLC	Support
Defog	Digital Defog
Intelligent AI edge	Description
Smart intrusion prevention	Support false alarm filtering: Cross line detection, Intrusion detection, Enter area detection, Leave area detection
Statistical analysis	N/A
People counting	Support people flow counting and Crowd density monitoring
Events	Description
Basic detection	Motion detection, Ultra motion detection, Tampering alarm, Audio detection
General function	Watermark, IP address filtering, Access policy, ARP protection, RTSP authentication, User authentication, HTTP authentication, Alarm input, Alarm output

Audio	Description
Audio compression	G.711U, G.711A
Audio bitrate	64 Kbps
Two-way audio	Support
Suppression	Support
Sampling rate	8 KHz
Storage	Description
Edge storage	MicroSD, up to 512 GB
Network storage	ANR, NAS (NFS)
Network	Description
Protocols	IPv4, IPv6, IGMP, ICMP, ARP, TCP, UDP, DHCP, PPPoE, RTP, RTSP, RTCP, RTMP, DNS, DDNS, NTP, FTP, UPnP, HTTP, HTTPS, SMTP, 802.1x, SNMP, QoS, SSL/TLS, SSH
Compatible Integration	ONVIF (Profile S, Profile G, Profile T, Profile M), API, SDK
User/host	Up to 32 users, 2 user levels: administrator and common user
Security	Password protection, Strong password, HTTPS encryption, Export operation logs, Basic and digest authentication for RTSP, Digest authentication for HTTP, TLS 1.2, WSSE and digest authentication for ONVIF
Web & APP & software	APP: GuardEye Software: VMS lite, IP tool & Player
Web browser	Plug-in required live view: IE 10+, Chrome 45+, Firefox 52+, Edge 79+
Interface	Description
Audio I/O	1 Input: impedance 35 k Ω , amplitude 2 V [p-p], 1 Output: impedance 600 Ω , amplitude 2 V [p-p]
Alarm I/O	1/1
Serial port	N/A
Built-in Mic	Support
Built-in speaker	N/A
WIFI	N/A
Network	1 x RJ45 10M/100M Base-TX ethernet
Video output	N/A
Certification	Description
EMC	CE-EMC (EN 55032: 2015+A1:2020,EN 61000-3-3: 2013+A1: 2019,EN IEC 61000-3-2: 2019+A1: 2021,EN 55035: 2017+A11:2020) FCC (FCC CFR 47 part15 B, ANSI C63.4-2014)

Safety	CE LVD (EN 62368-1:2014+A11:2017) CB (IEC 62368-1:2014) UL (UL 62368-1, 2nd Ed., Issue Date: 2014-12-01)
Environment	CE-RoHS (2011/65/EU;(EU)2015/863); WEEE (2012/19/EU); Reach (Regulation (EC) No 1907/2006)
Protection	IP67 (IEC 60529:1989+AMD1:1999+AMD2:2013) IK10 (IEC 62262:2002)
General	Description
Power	12VDC ± 25%, PoE (IEEE 802.3af)
Power consumption	Max 10.0W
Power interface	Ø 5.5 mm coaxial power plug
Dimensions	Φ 129 x 110 mm (Φ 5.1" x 4.3") (Ø x H)
Weight	0.66 kg (1.45lb)
Material	Metal
Working environment	-30 °C ~ 60 °C (-22 °F ~ 140 °F), Humidity: ≤95% RH (non-condensing)
Storage environment	-30 °C ~ 60 °C (-22 °F ~ 140 °F), Humidity: ≤95% RH (non-condensing)
Surge protection	6 KV
Reset button	Support
Web client language	20 Languages Traditional Chinese, English, Simplified Chinese, Polish, German, Russian, French, Korean, Dutch, Czech, Portuguese (Europe), Portuguese (Brazil), Japanese, Thai, Turkish, Spanish (Latin America), Spanish (Europe), Hungarian, Italian, Vietnamese

Dimensions



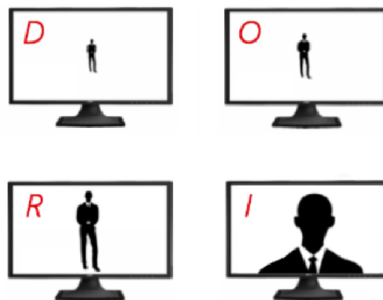
Accessories

GDET-125HB bagdåse	GDET-125(135)HV vægbeslag	GDET-125(135)-HVB vægbeslag med bagdåse
HVID	HVID	HVID
Varenr. 22909	Varenr. 22917	Varenr. 22916

What is DORI & how to use it in CCTV

In the world of CCTV, **DORI** stands for **D**etection, **O**bservation, **R**ecognition and **I**dentification.

- **Detection** - The detection level allows for reliable and easy determination of whether a person or vehicle is present.
- **Observation** - The observation level gives characteristic details of an individual, such as distinctive clothing, while allowing a view of activity surrounding an incident.
- **Recognition** - The recognition level determines with a high degree of certainty whether an individual shown is the same as someone that has been seen before.
- **Identify** - The identification level enables the identity of an individual beyond a reasonable doubt.



* Product specifications and availability are subject to change without notice.

* Despite our best efforts, technical or typographical errors may exist in this document. Guardeon Security Systems cannot be held responsible for any such errors and reserves the right to change the contents of this document without prior notice.

